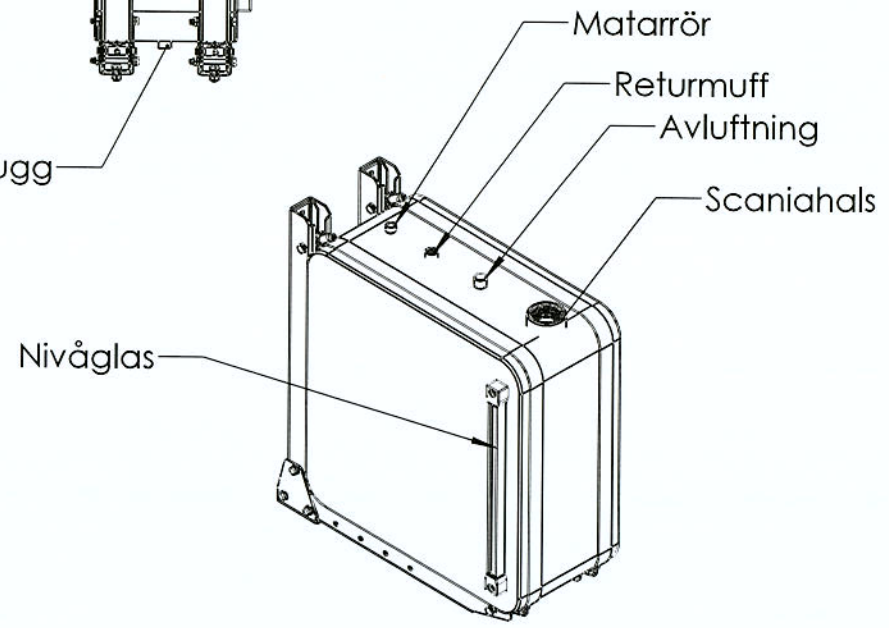
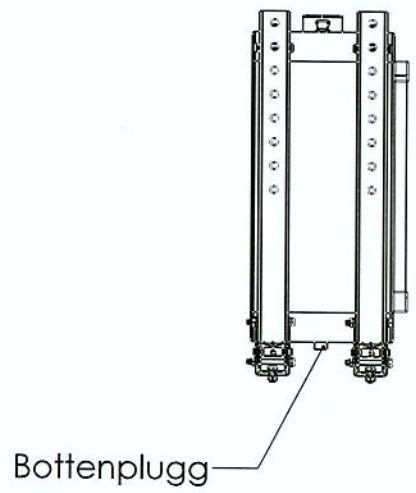
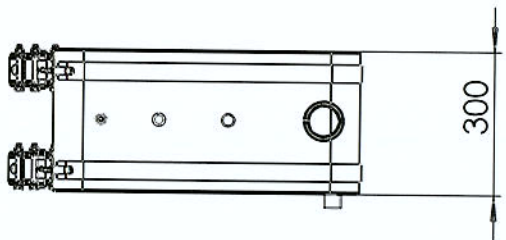
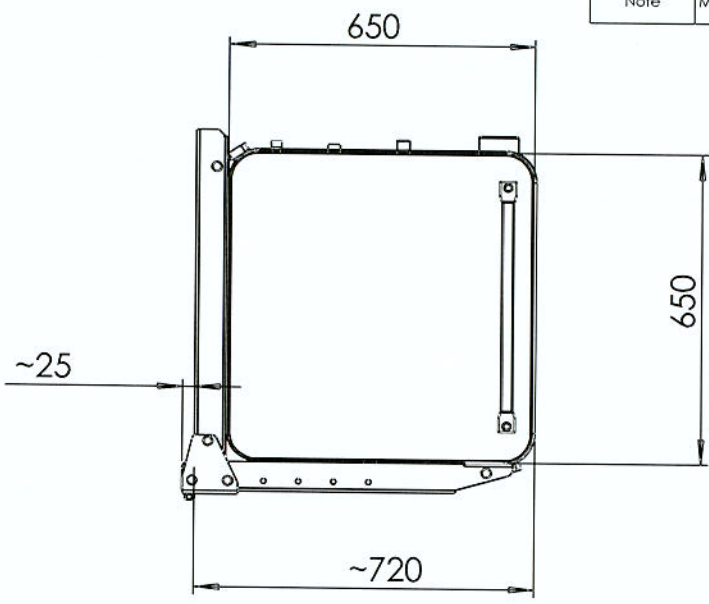


This document must not be copied without our written permission and the contents thereof must not be imparted to a third party nor be used for any unauthorized purpose. Contravention will be prosecuted. New time AB

Note	Modified from	Date	Approved
------	---------------	------	----------

1:a rev. 120605 B.B.



Volym 120 L



Tolerances, if not indicated, according to: ISO 13920-C		Material RFS 2333, tj 2 mm		
Design.	Drawn B.B.	Date 120530	Format A4	Scale
Description 2 st konsol flex 2 st spännband standard			Mass (g)	Revision
			Drawing nr Diesel tank 22044	Sheet 1(1)

