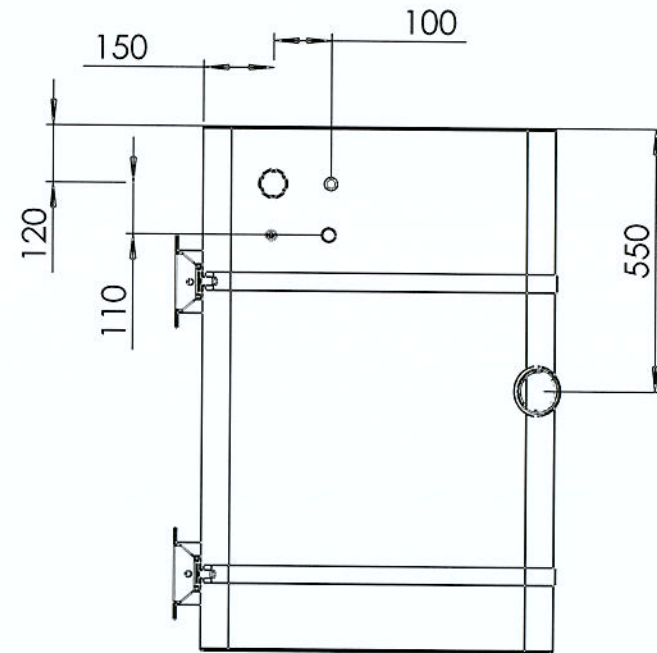
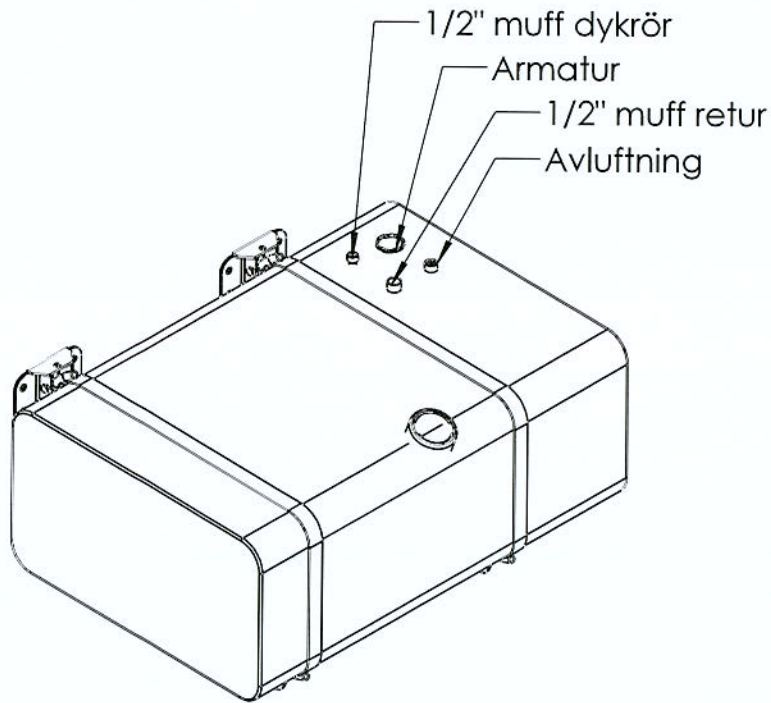
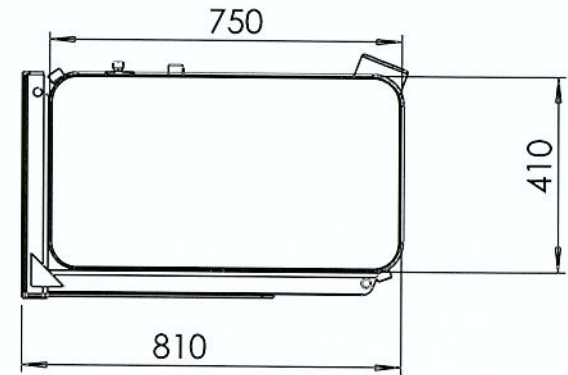
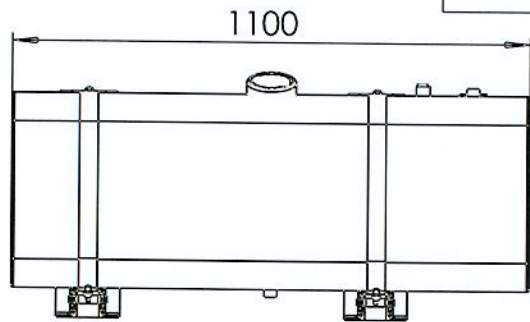



This document must not be copied without our written permission and the contents thereof must not be imparted to a third party nor be used for any unauthorized purpose. Contravention will be prosecuted. New Time AB

| | | | |
|------|---------------|------|----------|
| Note | Modified from | Date | Approved |
|------|---------------|------|----------|



| | | | | | | |
|--|--|--|---------------|-----------------------------------|--------------|---------------|
|  | | Tolerances, if not indicated, according to: ISO 13920-CG | | Material: RFS 2333 | | |
| | | Design. | Drawn B.B. | Date 130411 | Format A4 | Scale |
| Description Tankhals Volvo | | | | Mod. Krima | | Revision |
| | | | | Drawing nr Diesel-tank 23115-1 | | Sheet 1(1) |