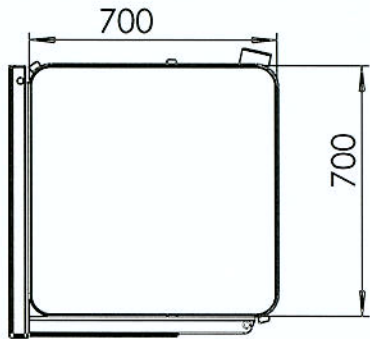
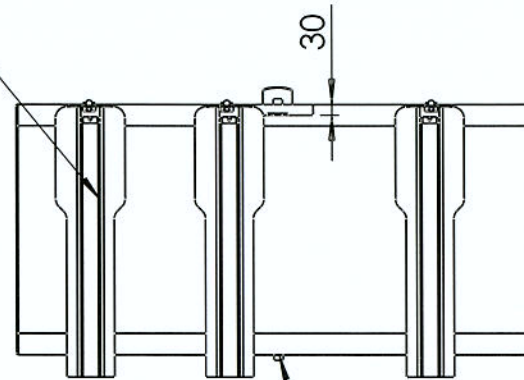


Note	Modified from	Date	Approved
------	---------------	------	----------



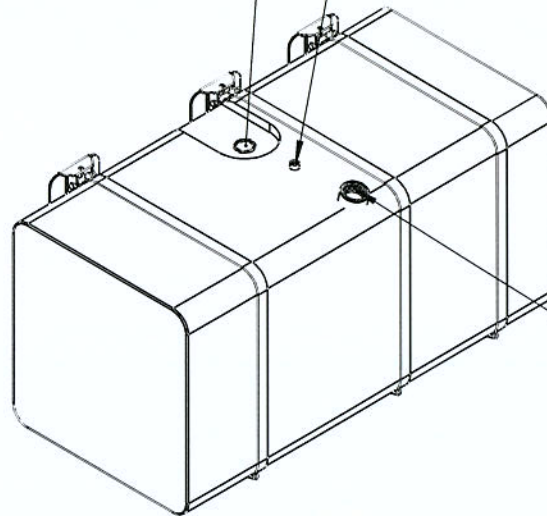
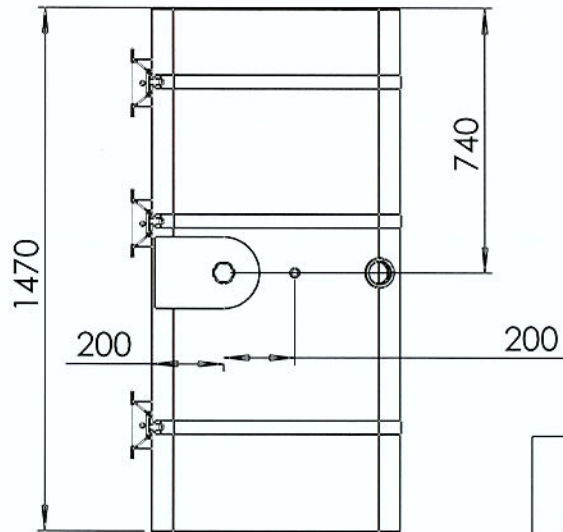
Konsol + spännband



Avluftning


Armaturfäste

Bottenplugg



Scaniahals

This document must not be copied without our written permission and the contents thereof must not be imparted to a third party nor be used for any unauthorized purpose. Contravention will be prosecuted. New Time AB

		Tolerances, if not indicated, according to: ISO 2768 -		Material RFS 2333		
		Design.	Drawn B.B.	Date 110428	Format A4	Scale 1:20
Description Mod Krima				Mass (g)		Revision
				Drawing nr Dieseltank 20512		Sheet 1(1)