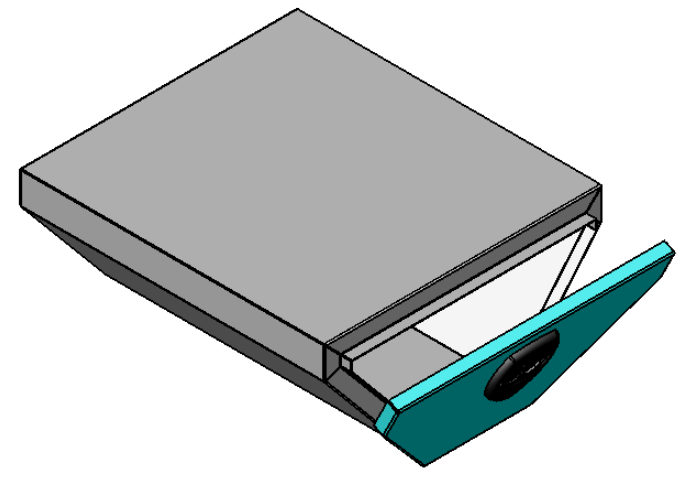
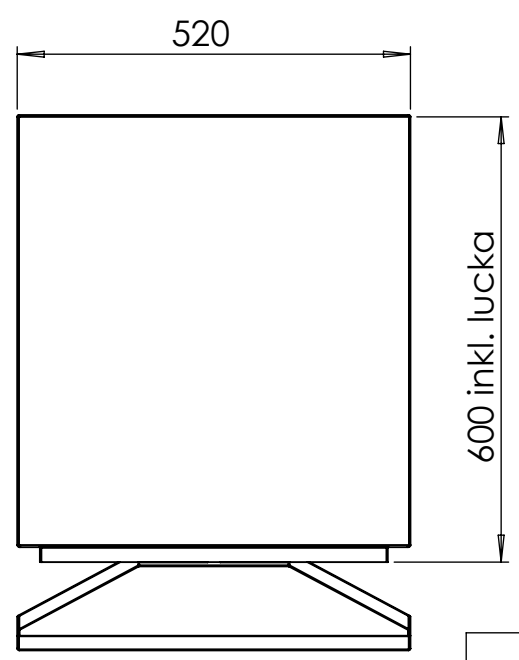
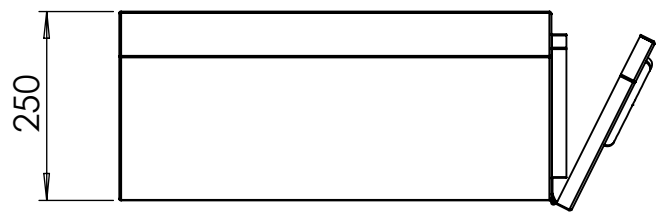
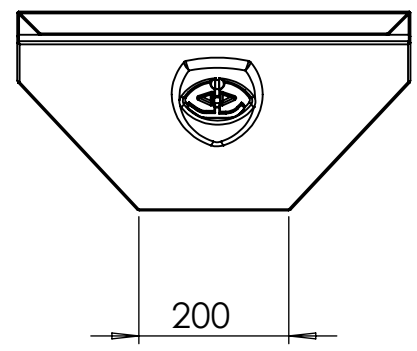



Note	Modified from	Date	Approved
------	---------------	------	----------



This document must not be copied without our written permission and the contents thereof must not be imparted to a third party nor be used for any unauthorized purpose. Contravention will be prosecuted. New Time AB

	Tolerances, if not indicated, according to: ISO 13920-CG		Material RFS 2333 tj 2 mm		
	Design.	Drawn	Date	Format A4	Scale
	Description			Mass (g)	Revision
Skärmlåda Krima 2				Art nr. Skärmlåda 440005	

