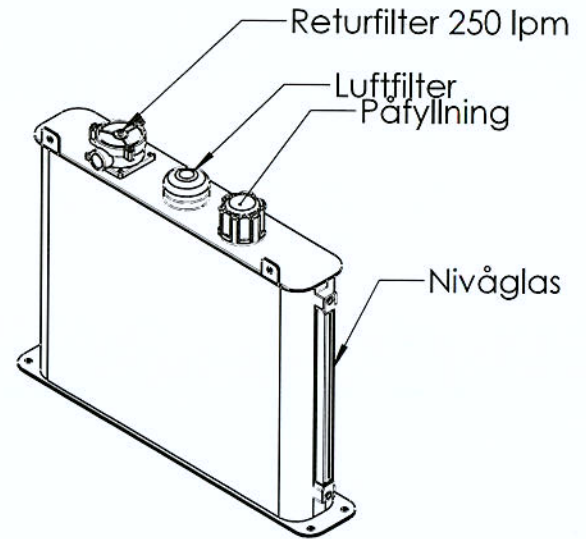
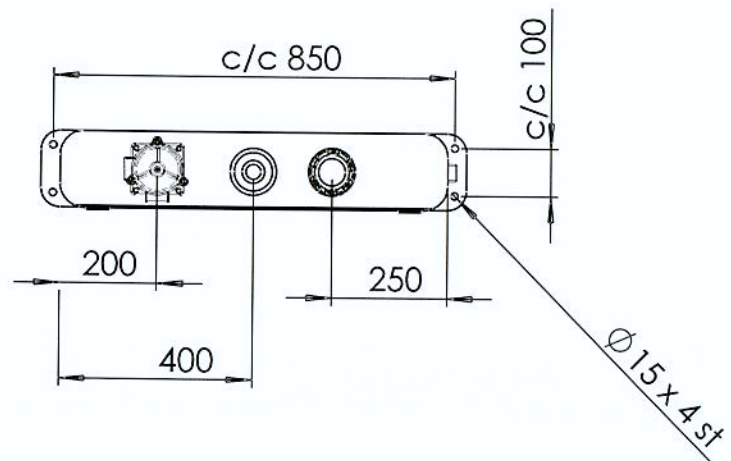
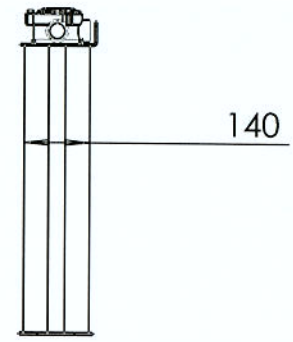
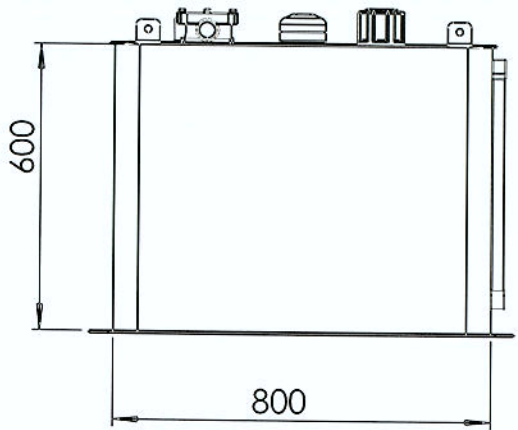




This document must not be copied without our written permission and the contents thereof must not be imparted to a third party nor be used for any unauthorized purpose. Contravention will be prosecuted. New Time AB

Note	Modified from	Date	Approved
------	---------------	------	----------

1:a rev 130923 B.B.



	Tolerances, if not indicated, according to: ISO 2768 -		Material RFS 2333			
	Design.	Drawn B.B.	Date 130919	Format A4	Scale 1:20	
	Description Framstamstank			Mass (g)		Revision
				Drawing nr Hydraul tank 23543		Sheet 1(1)