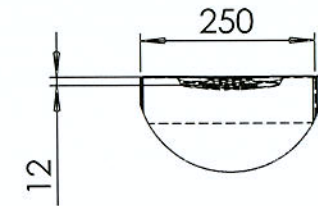
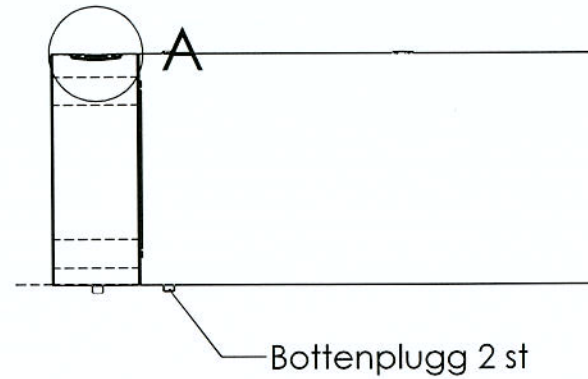
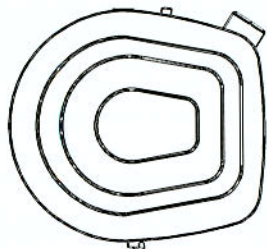


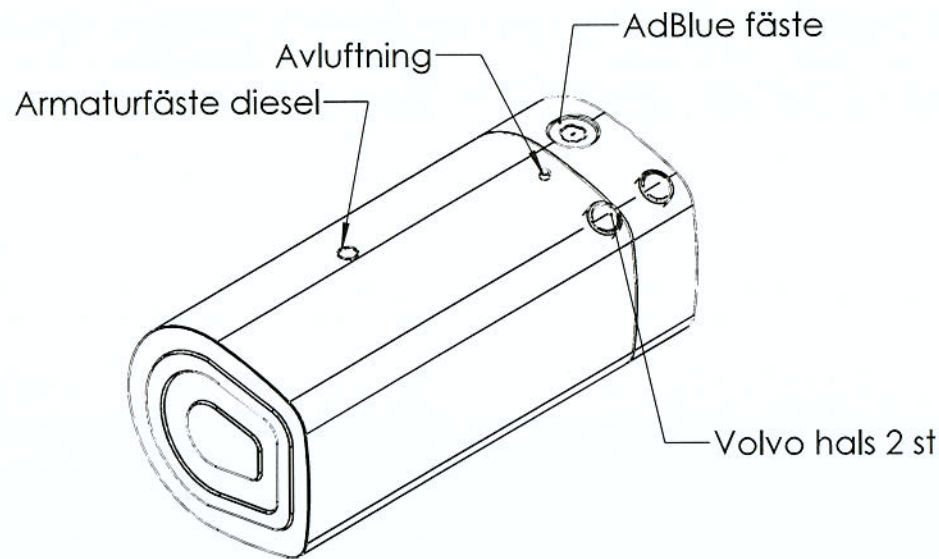
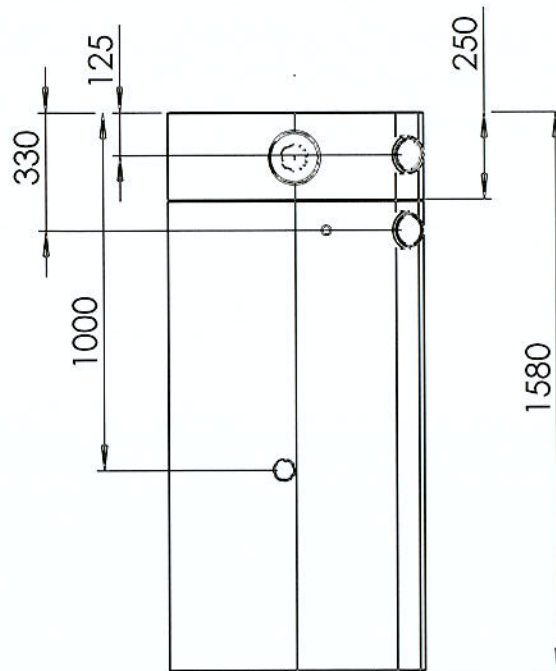
This document must not be copied without our written permission and the contents thereof must not be imparted to a third party nor be used for any unauthorized purpose. Contravention will be prosecuted. New Time AB

Note	Modified from	Date	Approved
------	---------------	------	----------

Rev 1	120130	B.B.
Rev 2	120206	B.B.



Ditail A



Tolerances, if not indicated, according to: ISO 13920-C		Material RFS 2333, tj 2 mm		
Design.	Drawn B.B.	Date 120123	Format A4	Scale
Description Kombi-tank Volvo mod. D_56 Diesel/AdBlue			Mass (g)	Revision
			Drawing nr K-Tank 21496	Sheet 1(1)