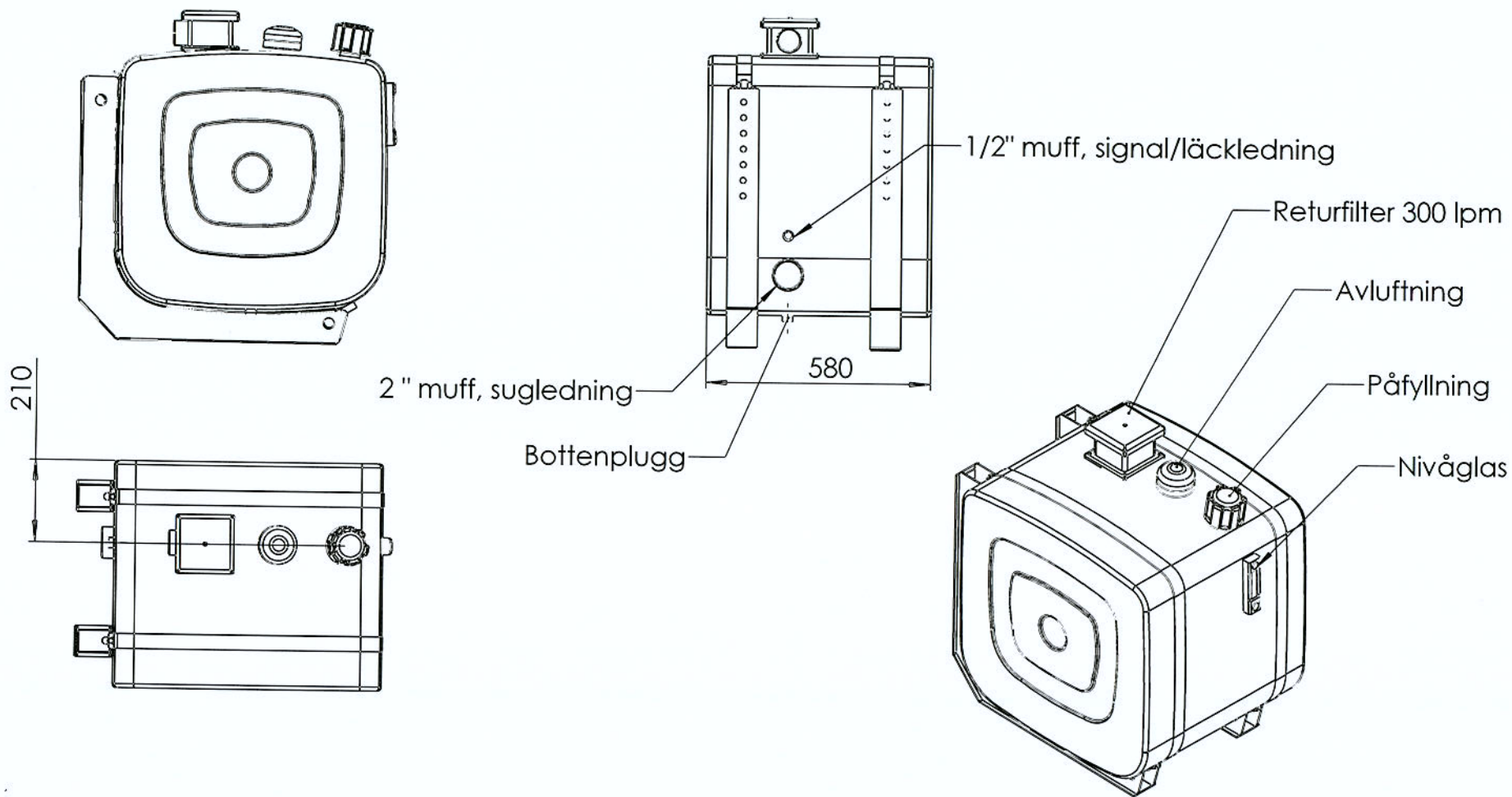


Note	Modified from	Date	Approved
------	---------------	------	----------



Volym 200 L

This document must not be copied without our written permission and the contents thereof must not be imparted to a third party nor be used for any unauthorized purpose. Contravention will be prosecuted. New Time AB



Tolerances, if not indicated, according to: ISO 13920-CG		Material: RFS 2333		
Design.	Drawn: B.B.	Date: 130814	Format: A4	Scale:
Description: W-tank H=670mm, B=700mm L=580 mm			Mass (g)	Revision
			Drawing nr: Hydraultank_W 23464	Sheet: 1(1)