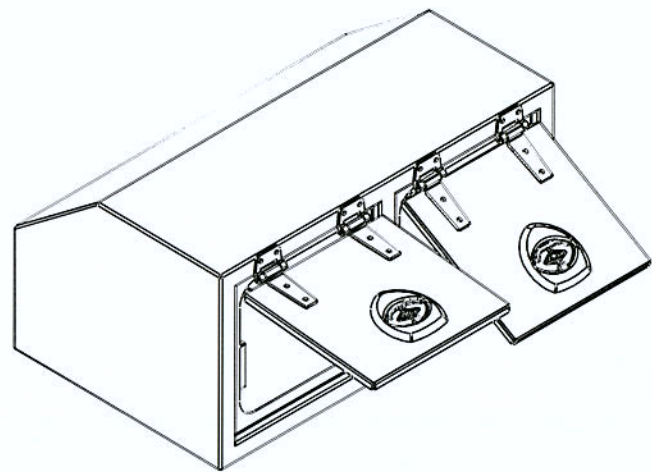
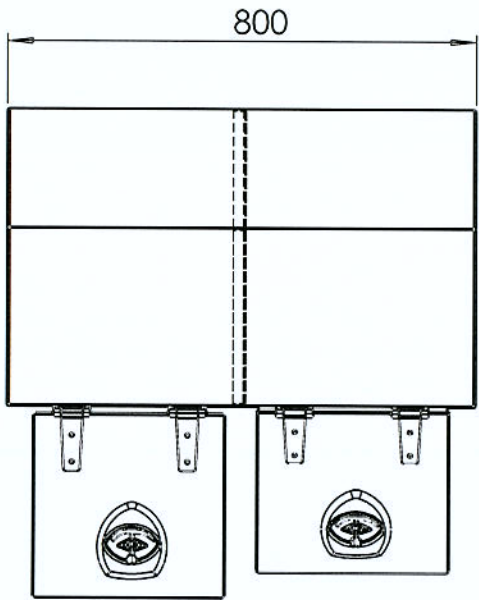
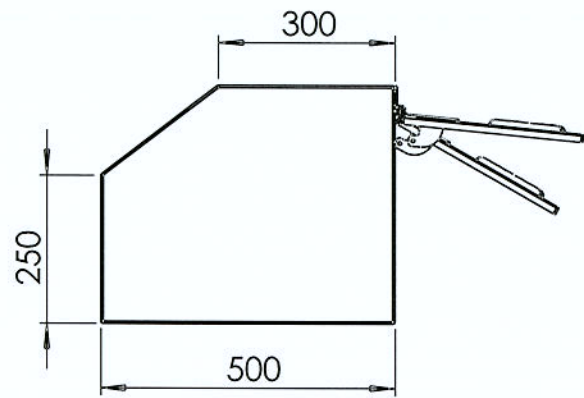
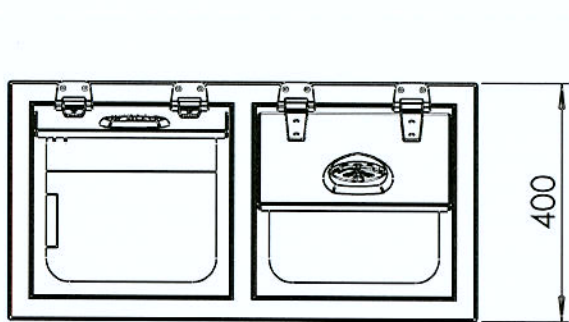



| | | | |
|------|---------------|------|----------|
| Note | Modified from | Date | Approved |
|------|---------------|------|----------|



This document must not be copied without our written permission and the contents thereof must not be imparted to a third party nor be used for any unauthorized purpose. Contravention will be prosecuted. New Time AB

| | | | | |
|--|--|------------|--------------------------|------------|
|  | Tolerances, if not indicated, according to: ISO 13920-CG | | Material RFS 2333 | |
| | Design. | Drawn B.B. | Date 131023 | Format A4 |
| | Description Modell 412 Lucköppning 180° Gasfjädrar | | | Scale |
| | | | Mass (g) | Revision |
| | | | Drawing nr RF låda 23673 | Sheet 1(1) |