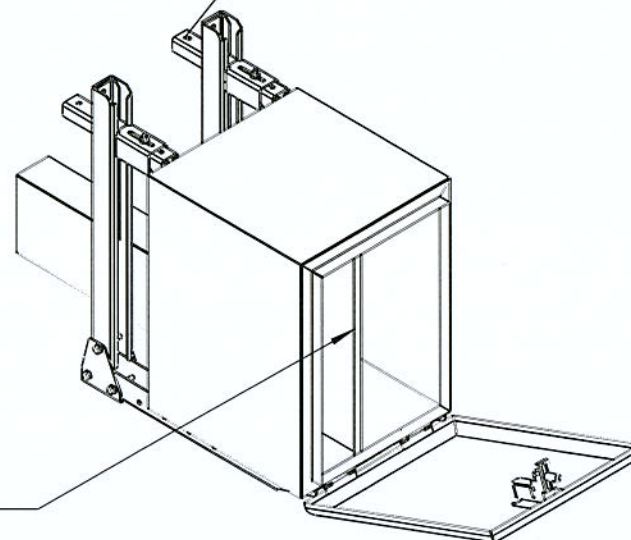
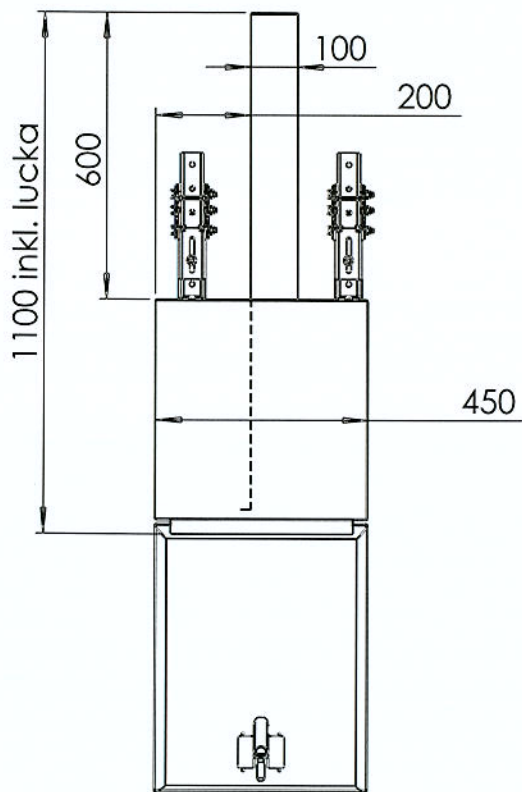
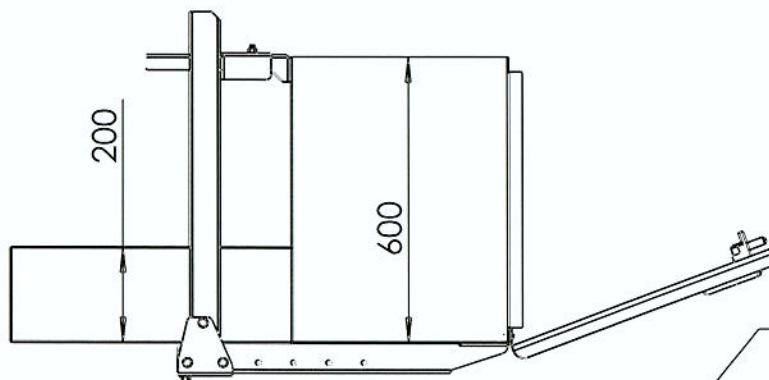
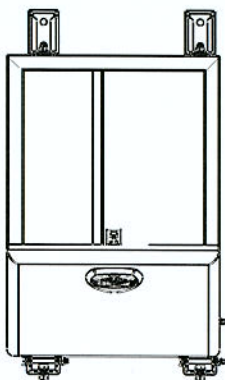


Note Modified from

Date

Approved



This document must not be copied without our written permission and the contents thereof must not be imparted to a third party nor be used for any unauthorized purpose. Contravention will be prosecuted. New Time AB



| | | | |
|---|------------|----------------------------|-----------|
| Tolerances, if not indicated, according to: ISO 13920-C | | Material RFS 2333, tj 2 mm | |
| Design. | Drawn B.B. | Date 120524 | Format A4 |
| Description 2 st Krimaflexibil konsol | | Scale | Revision |
| | | Mass (g) | |
| Drawing nr V-låda 22023-2 | | Sheet 1(1) | |