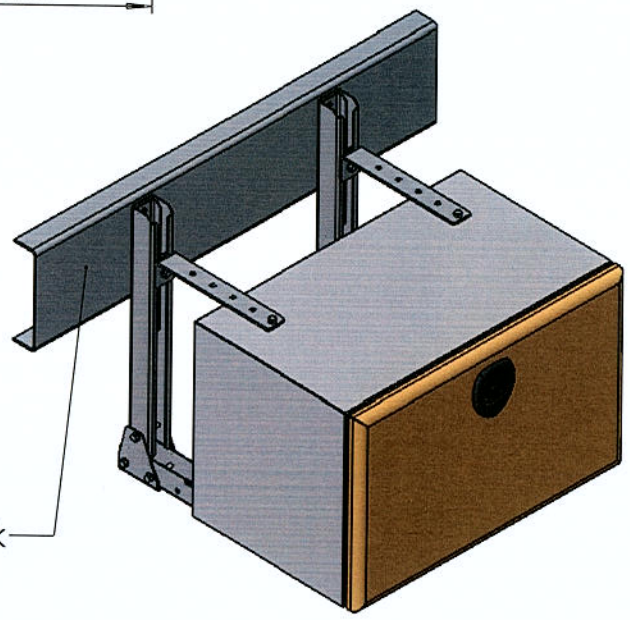
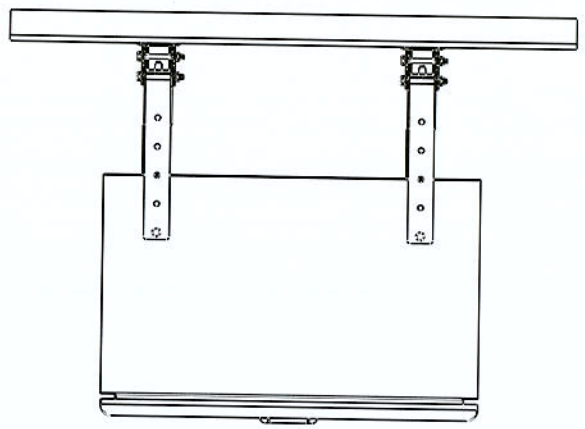
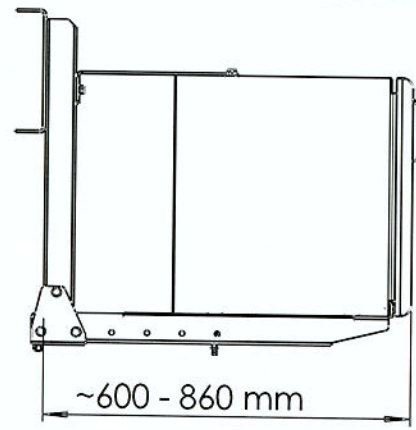
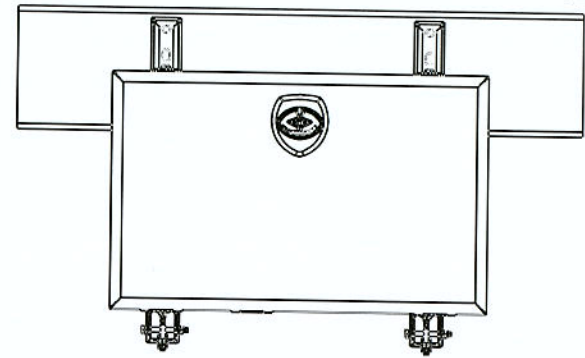


This document must not be copied without our written permission and the contents thereof must not be imparted to a third party nor be used for any unauthorized purposes. Contravention will be prosecuted. New Time AB

Note	Modified from	Date	Approved
------	---------------	------	----------



	Tolerances, if not indicated, according to: ISO 13920-C		Material RFS 2333		
	Design.	Drawn	Date	Format A4	
	Description Lådmontageförslag låda konsol Krima flex			Scale	
				Mass (g)	
			Drawing nr V-låda Krima	Sheet 1(1)	