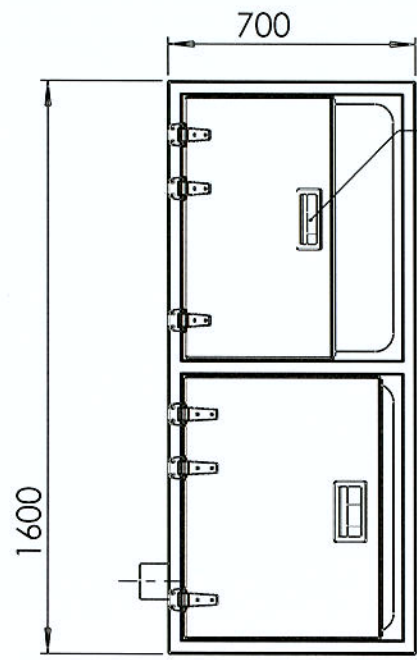


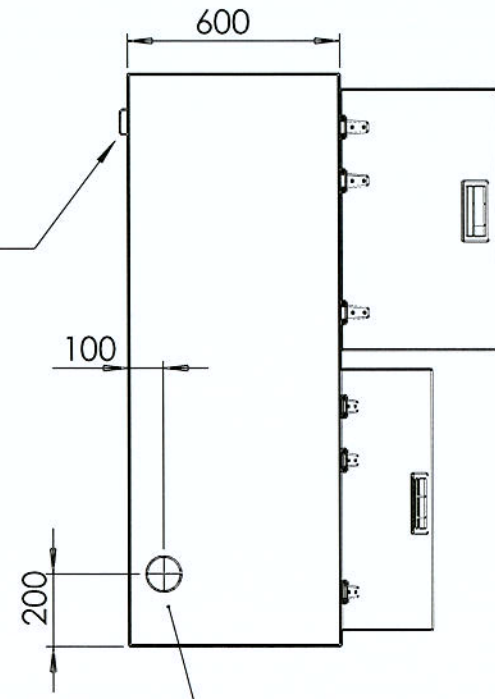
Note	Modified from	Date	Approved
------	---------------	------	----------

1:a rev. 130422 B.B.



Prima lås

Ventilation

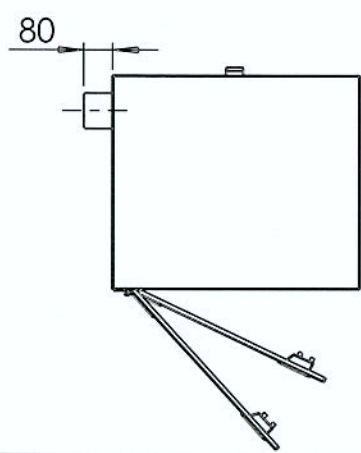
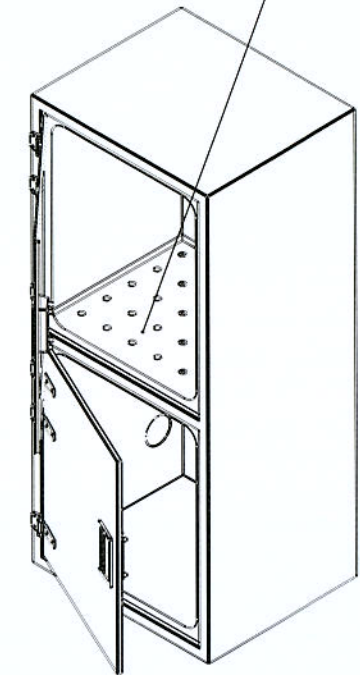


100

200

Stos utv. Ø100 mm

Perforerad mellanhylla



This document must not be copied without our written permission and the contents thereof must not be imparted to a third party nor be used for any unauthorized purpose. Contravention will be prosecuted. New Time AB



Tolerances, if not indicated, according to: ISO 13920-CG		Material RFS 2333	
Design.	Drawn B.B.	Date 130415	Format A4
Description Lådmodell 412 vänsterhängd		Scale	Revision
		Mass (g)	
		Drawing nr V-låda 23115-4	Sheet 1(1)