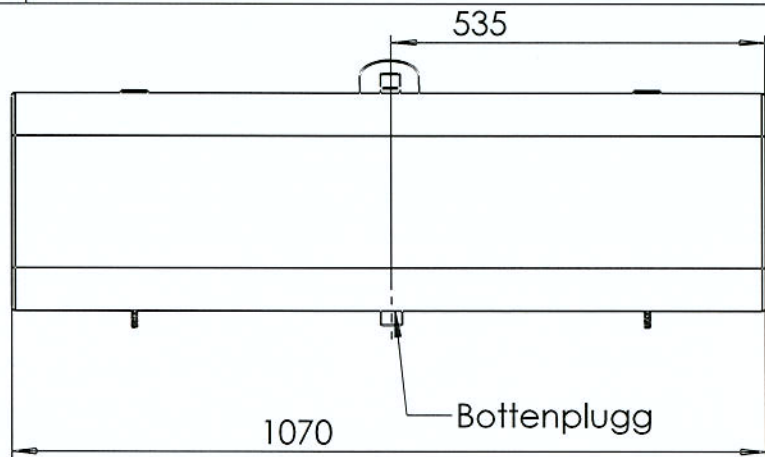
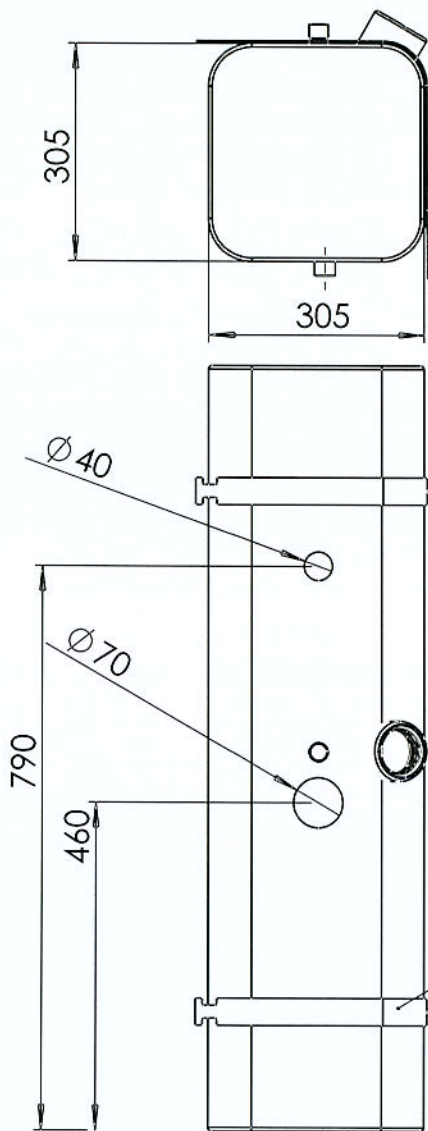
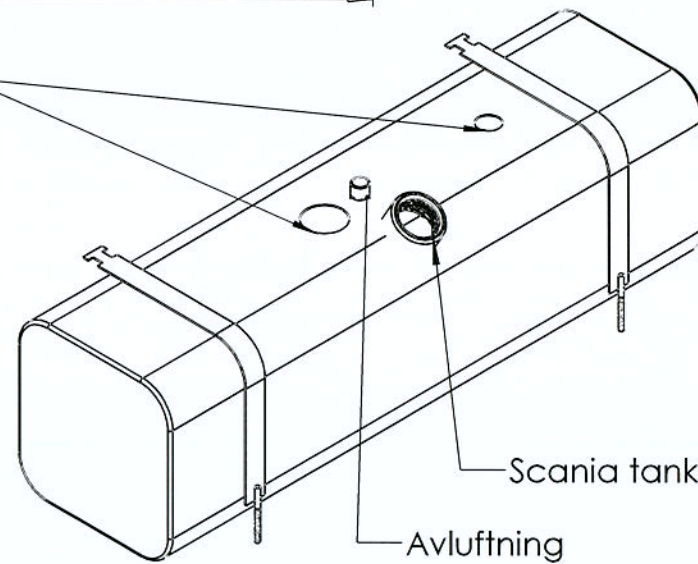


This document must not be copied without our written permission and the contents thereof must not be imparted to a third party nor be used for any unauthorized purpose. Contravention will be prosecuted. New Time AB

Note	Modified from	Date	Approved
------	---------------	------	----------



Armaturfästning-



Scania tankhals

Avluftning



Tolerances, if not indicated, according to: ISO 13920-C		Material: RFS 2333, tj 2 mm	
Design:	Drawn: B.B.	Date: 120903	Format: A4
Description: Volym ~90 L		Scale:	Scale:  E
		Mass (g):	Revision:
		Drawing nr: Dieseltank 22270	Sheet: 1(1)