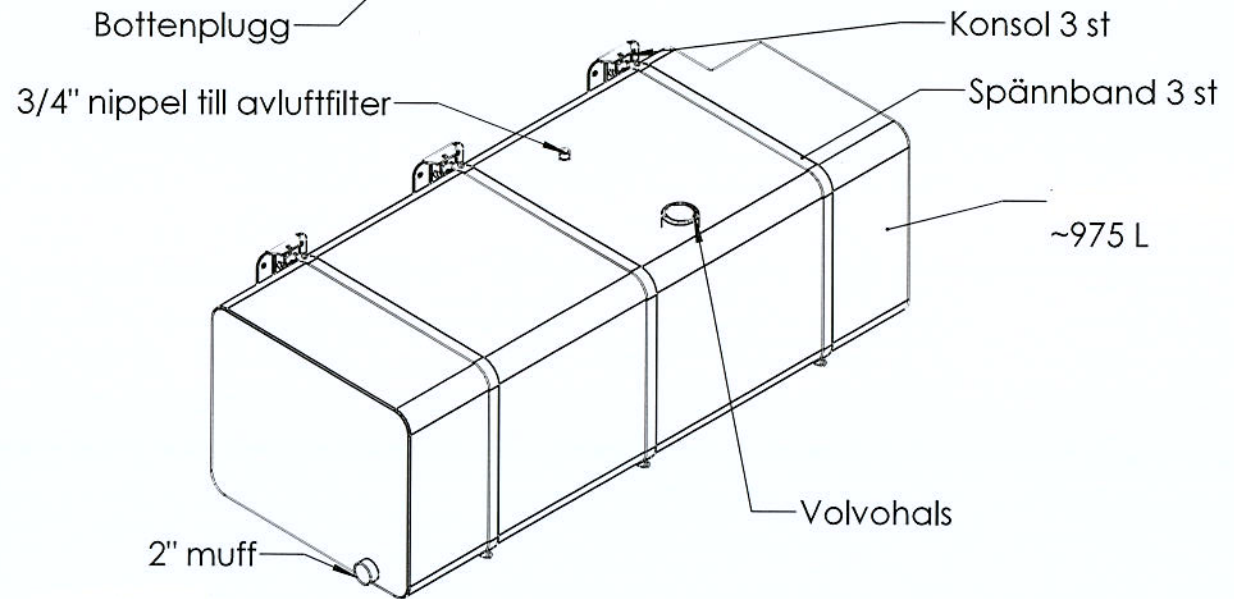
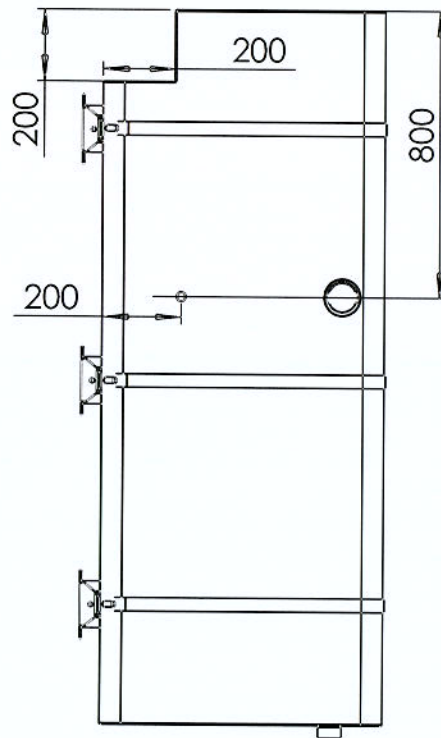
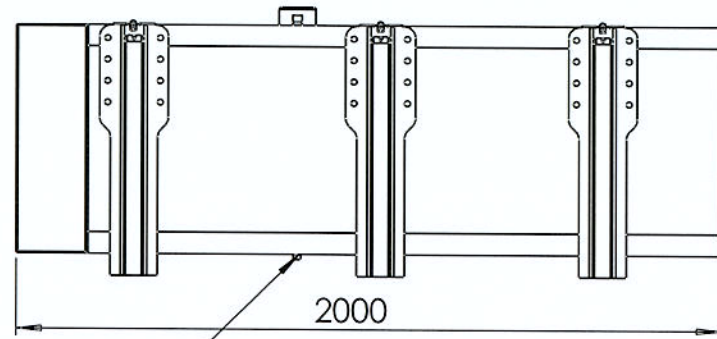
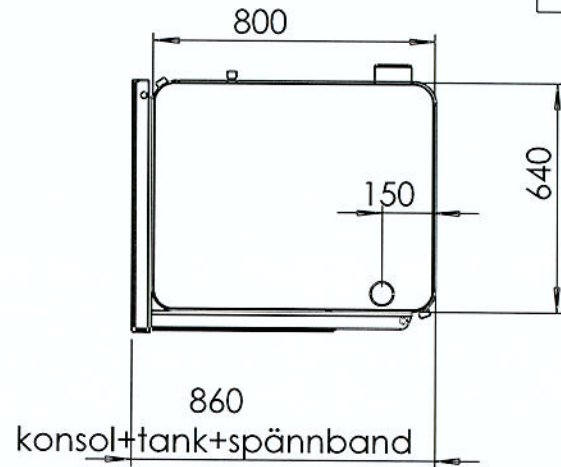


Note	Modified from	Date	Approved
------	---------------	------	----------



This document must not be copied without our written permission and the contents thereof must not be imported to a third party nor be used for any unauthorized purpose. Contravention will be prosecuted. New Time AB

	Tolerances, if not indicated, according to: ISO 13920-C		Material: Material RF 2333, tj 2 mm			
	Design.	Drawn: B.B.	Date: 110309	Format: A4	Scale: 1:50	
	Description			Mass (g): 53640		Revision
				Drawing nr: Vattentank 20318		Sheet: 1(1)