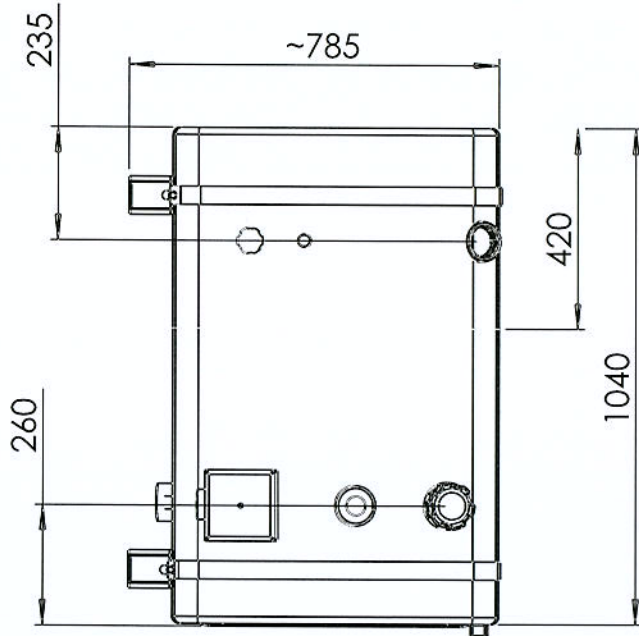
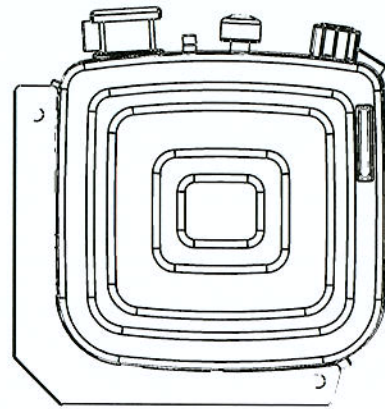


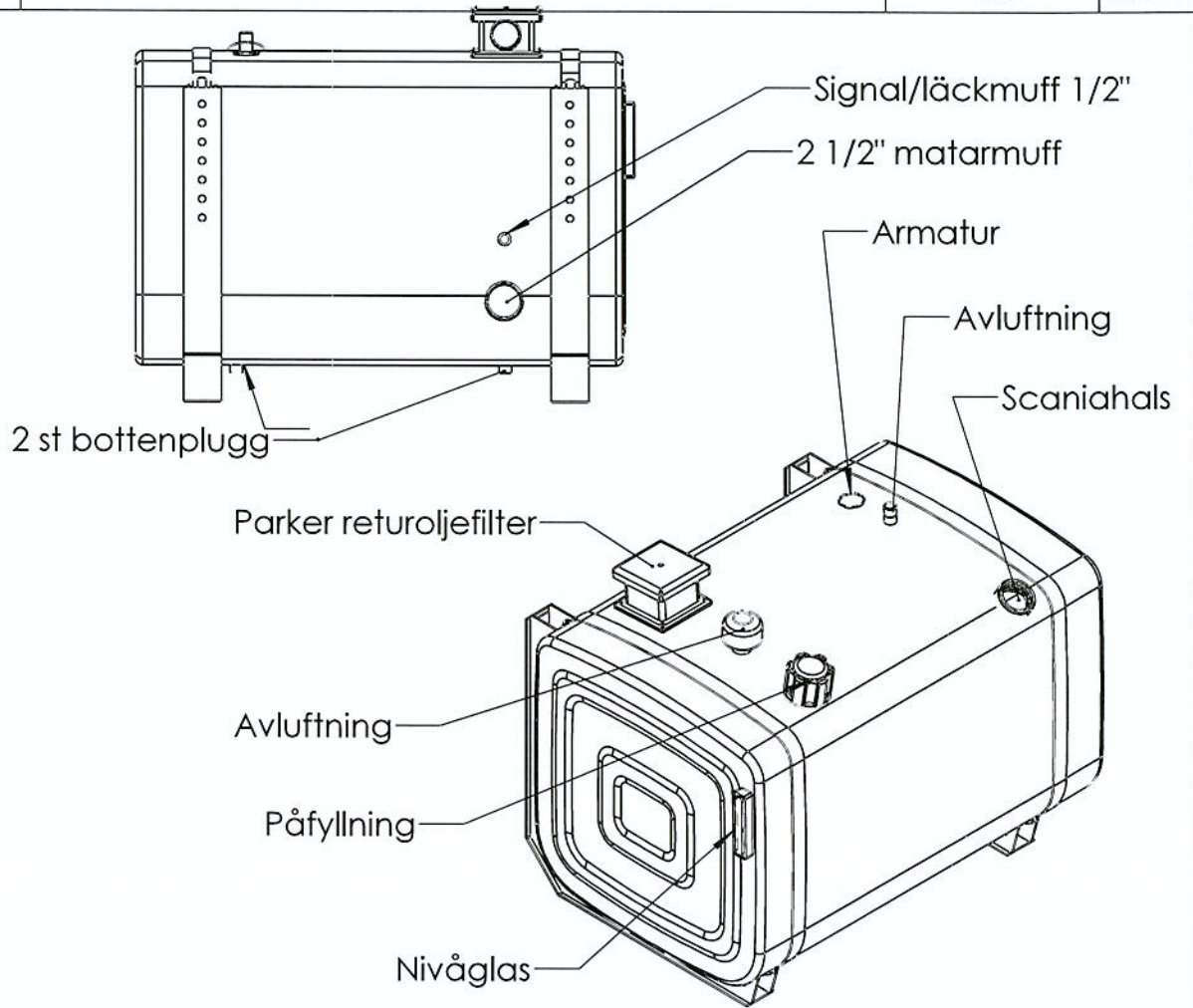
This document must not be copied without our written permission
 and the contents thereof must not be imparted to a third party nor
 be used for any unauthorized purpose. Contravention will be
 prosecuted. New Time AB



Diesolvolum ~175 L
 Hydraulvolum ~220 L



Note	Modified from	Date	Approved
------	---------------	------	----------



Tolerances, if not indicated, according to: ISO 13920-C		Material RFS 2333, tj 2 mm			
Design.	Drawn B.B.	Date 120524	Format A4	Scale	
Description 2 st Konsol med spännband			Mass (g)		Revision
			Drawing nr Kombitank W 22018		Sheet