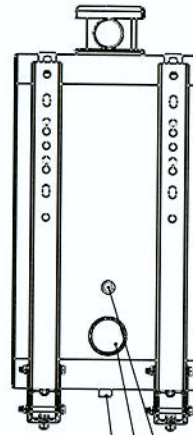
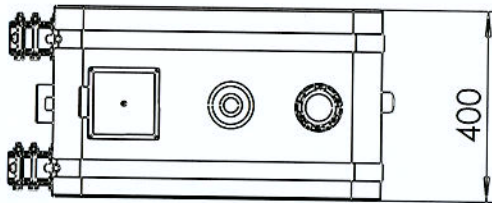
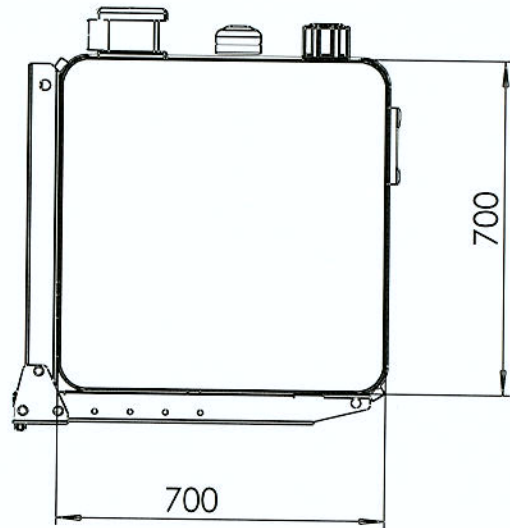
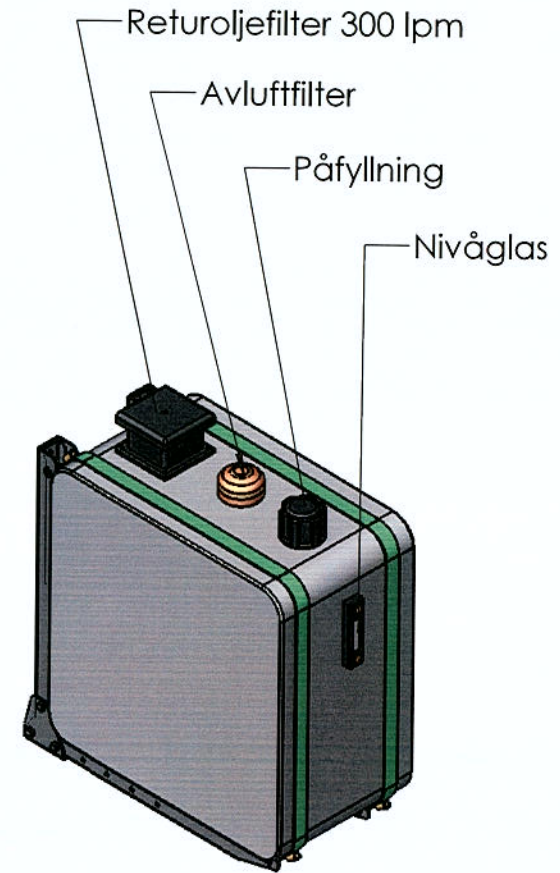


|      |               |      |          |
|------|---------------|------|----------|
| Note | Modified from | Date | Approved |
|------|---------------|------|----------|



Bottenplugg  
 2,5" muff, sugledning  
 1/2" muff, läck/signal



This document must not be copied without our written permission and the contents thereof must not be imparted to a third party nor be used for any unauthorized purpose. Contravention will be prosecuted. New Time AB



|  |            |                         |            |
|--|------------|-------------------------|------------|
| Tolerances, if not indicated, according to: ISO 13920-CG |            | Material RFS 2333       |            |
| Design.  | Drawn B.B. | Date 131009             | Format A4  |
| Description  |            | Scale                   | ⊕ ⊗ E      |
| Modell Krima   |            | Mass (g)                | Revision   |
|  |            | Drawing nr H-tank 23618 | Sheet 1(1) |