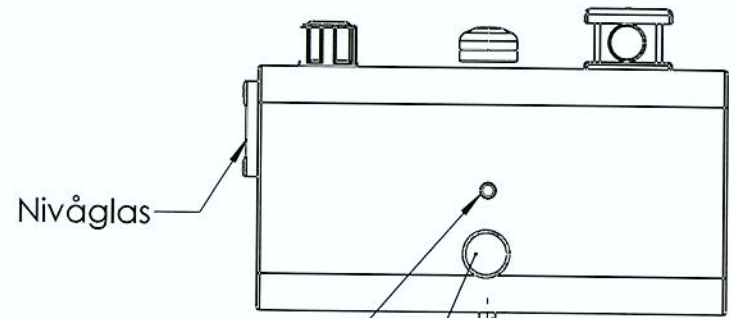
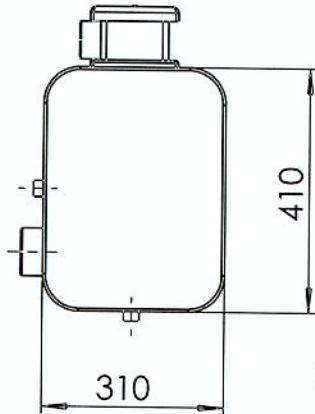


Note	Modified from	Date	Approved
------	---------------	------	----------

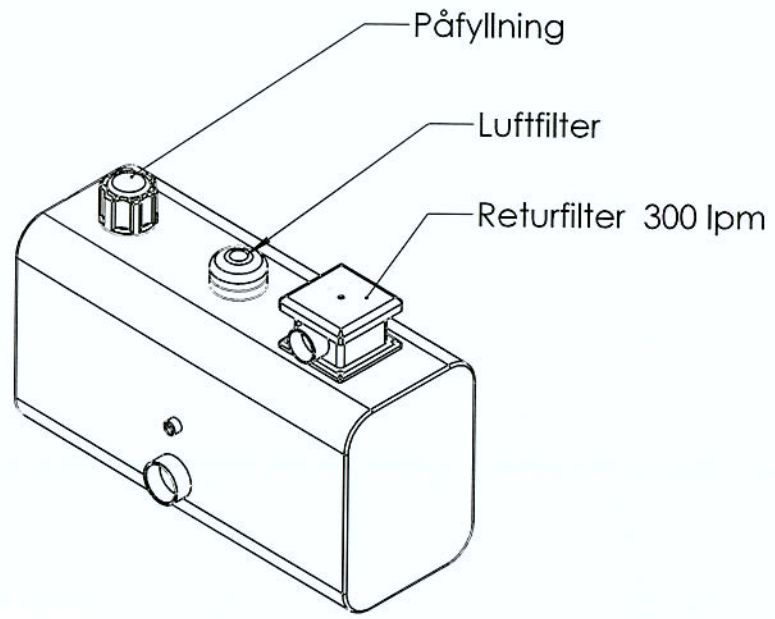
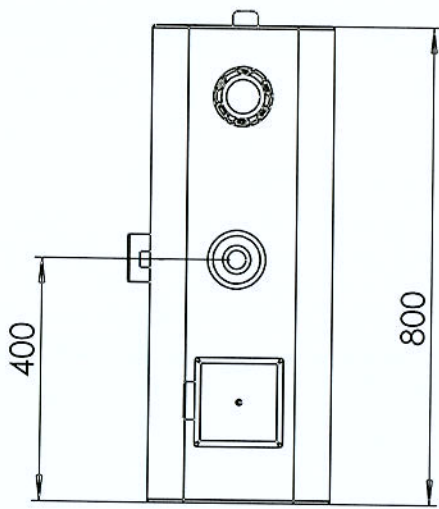


Nivåglas

1/2" muff, läck/signal

2 1/2" muff, sugledning

Bottenplugg



Påfyllning

Lufffilter

Returfilter 300 lpm

This document must not be copied without our written permission and the contents thereof must not be imparted to a third party nor be used for any unauthorized purpose. Contravention will be prosecuted. New Time AB



Tolerances, if not indicated, according to: ISO 2768 -		Material RFS 2333		
Design.	Drawn B.B.	Date 130920	Format A4	Scale
Description			Mass (g)	Revision
			Drawing nr Hydraul-tank Krima 23569	

