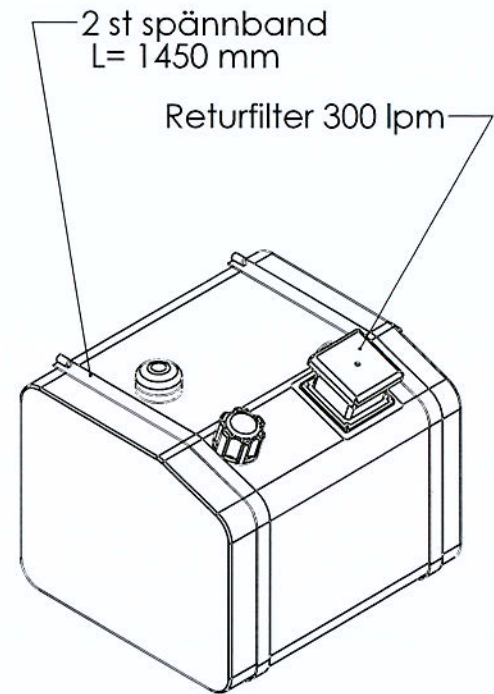
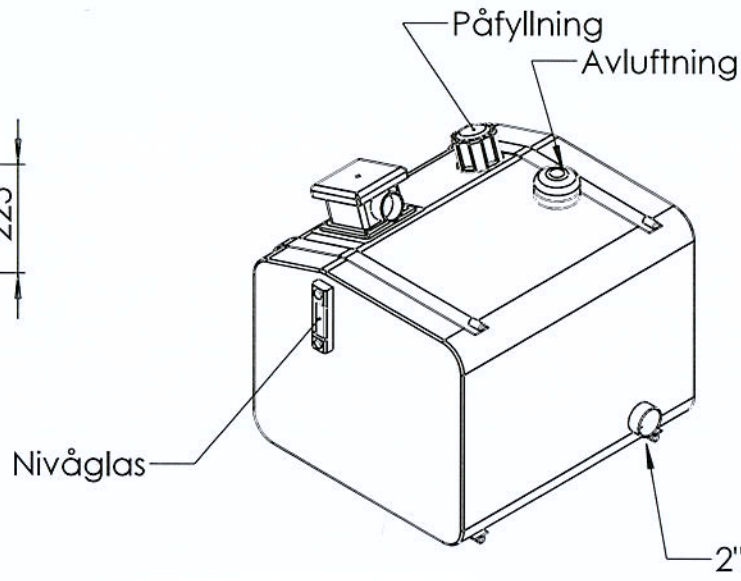
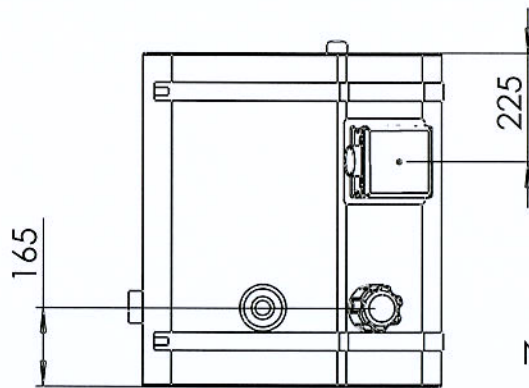
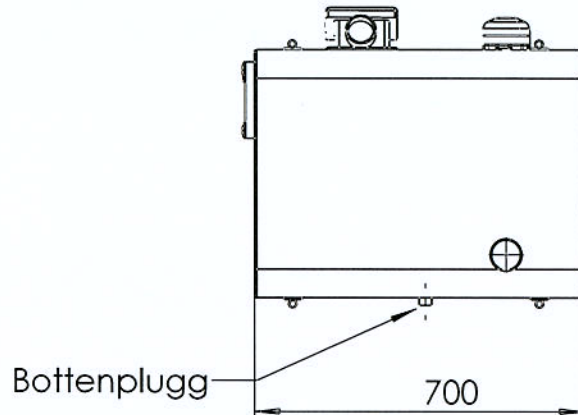
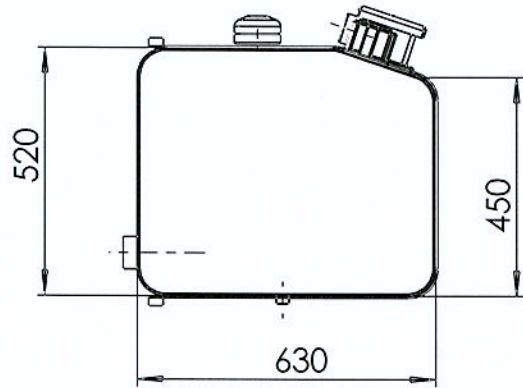




This document must not be copied without our written permission and the contents thereof must not be imparted to a third party nor be used for any unauthorized purpose. Contravention will be prosecuted. New Time AB

|      |               |      |          |
|------|---------------|------|----------|
| Note | Modified from | Date | Approved |
|------|---------------|------|----------|



|  |  |            |                           |   |
|--|--|------------|---------------------------|---|
|  | Tolerances, if not indicated, according to: ISO 13920-CG |            | Material RFS 2333         |   |
|  | Design.  | Drawn B.B. | Date 130514               | Format A4   |
|  | Description  |            | Scale                     |  |
|  |  |            | Mass (g)                  | Revision  |
|  |  |            | Drawing nr Hyd-tank 23220 | Sheet 1(1)  |