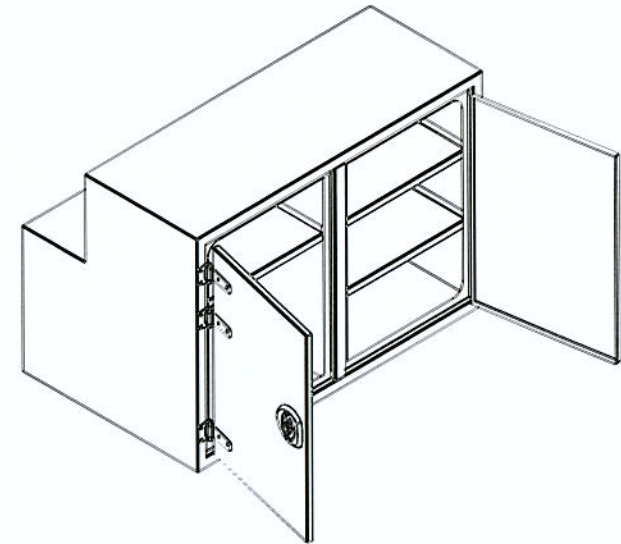
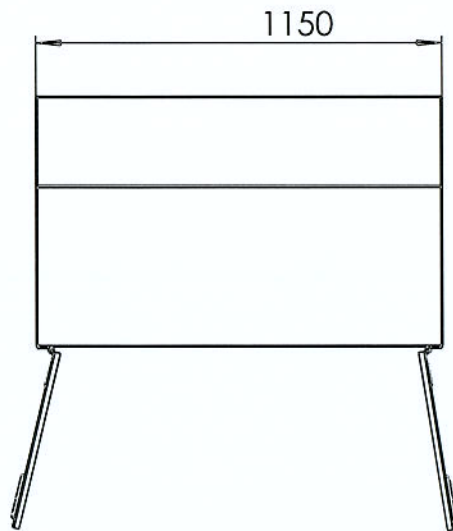
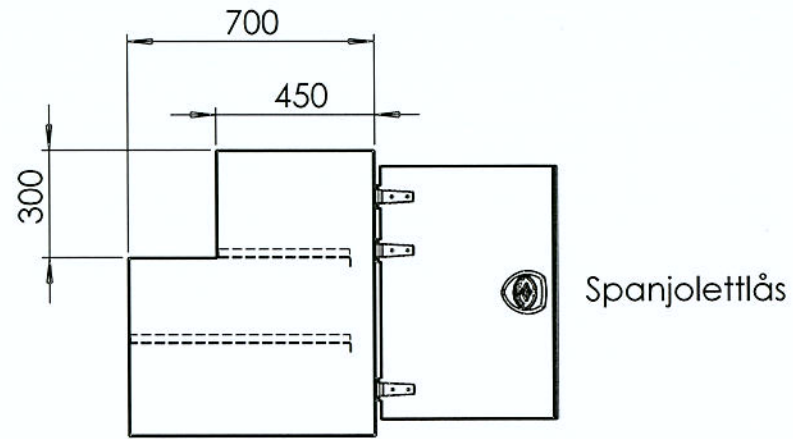
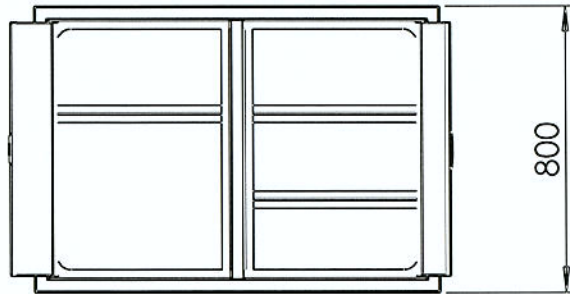




Note	Modified from	Date	Approved
------	---------------	------	----------



This document must not be copied without our written permission and the contents thereof must not be imparted to a third party nor be used for any unauthorized purpose. Contravention will be prosecuted. New Time AB

	Tolerances, if not indicated, according to: ISO 13920-C		Material RFS 2333, tj 2 mm			
	Design.	Drawn B.B.	Date 110420	Format A4	Scale 1:20	
	Description Mod 412			Mass (g) 12555	Revision	
			Drawing nr V-låda 20478	Sheet 1(1)		