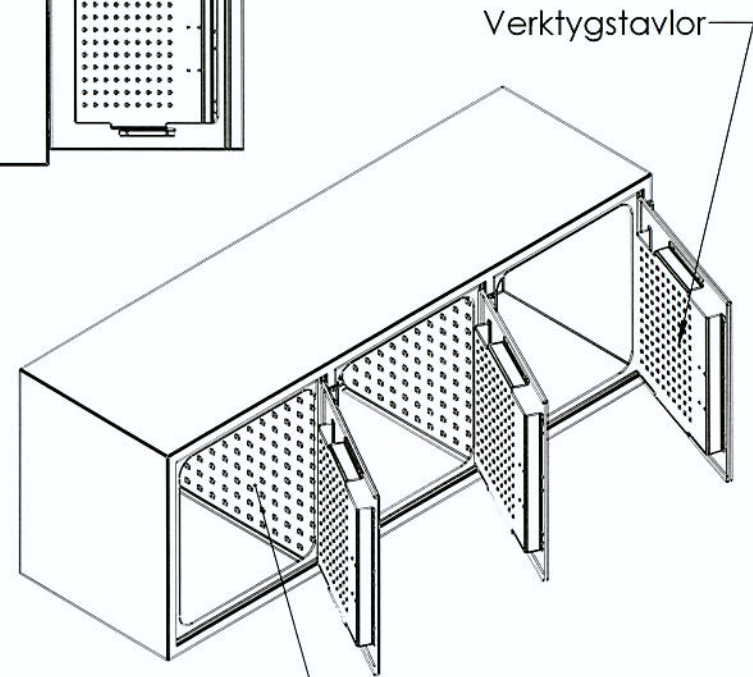
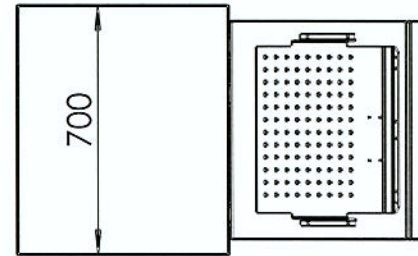
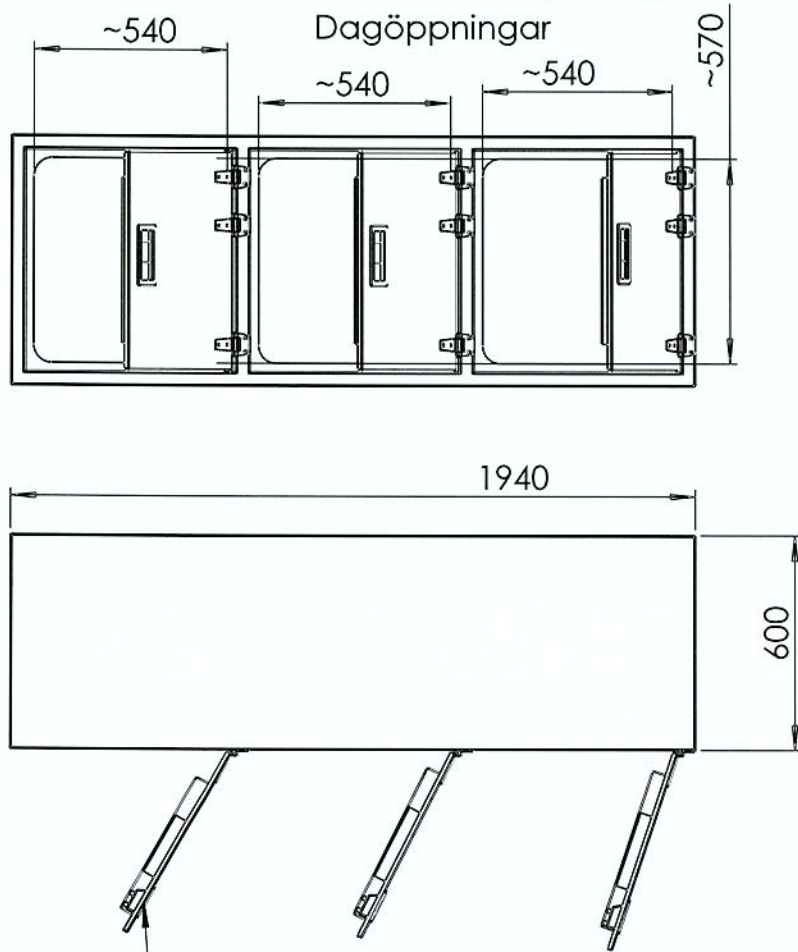


Note	Modified from	Date	Approved
------	---------------	------	----------



2 st mellanvägg
modell verktvgstavla
Mellanvägg endast i högerhängd låda

Primalås

This document must not be copied without our written permission and the contents thereof must not be imparted to a third party nor be used for any unauthorized purpose. Contravention will be prosecuted. New Time AB

	Tolerances, if not indicated, according to: ISO 13920-C		Material RFS 2333, tj 2 mm	
	Design.	Drawn B.B.	Date 120426	Format A4
	Description 1 st med högerhängd dörr 1 st med vänsterhängd dörr mod 412			Scale
			Mass (g)	Revision
			Drawing nr V-låda 21911-1	Sheet 1(1)