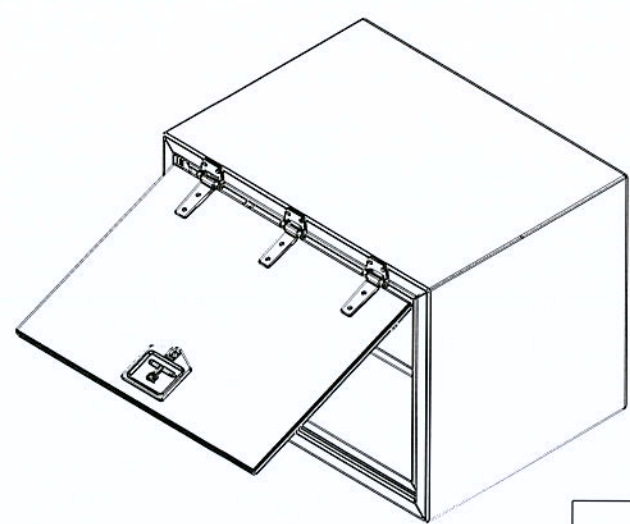
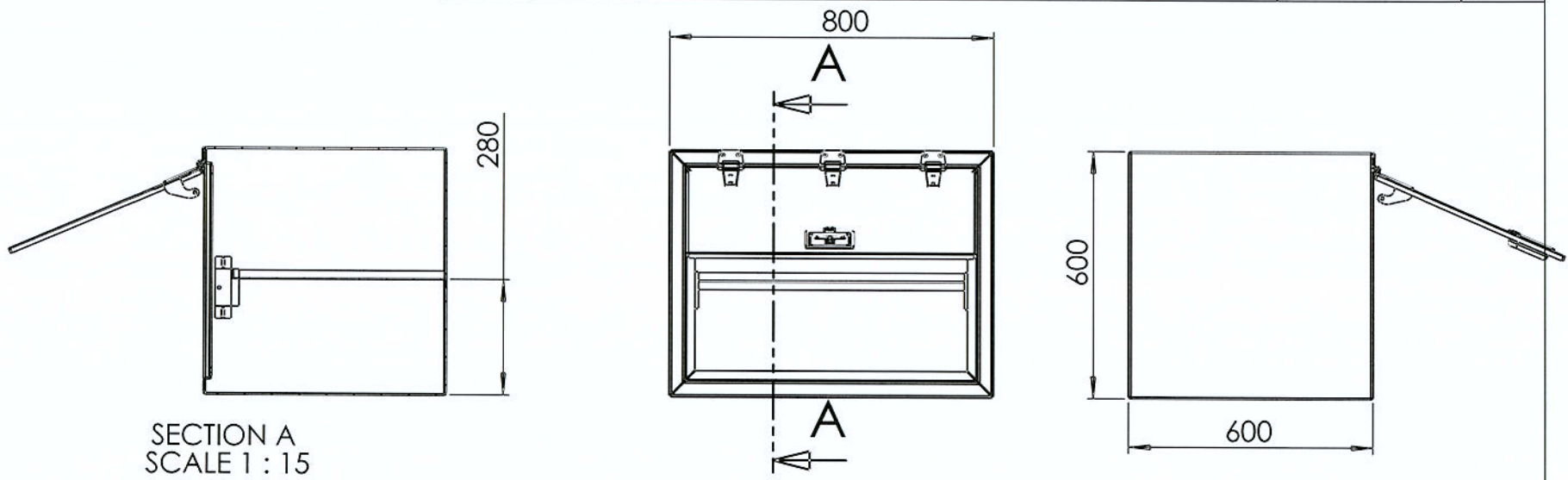




Note	Modified from	Date	Approved
------	---------------	------	----------



This document must not be copied without our written permission and the contents thereof must not be imparted to a third party nor be used for any unauthorized purpose. Confravention will be prosecuted. New Time AB

	Tolerances, if not indicated, according to: ISO 13920-C		Material RFS 2333, tj 1,5 mm			
	Design.	Drawn B.B.	Date 111018	Format A4	Scale 1:20	
	Description Mod 412, 180° öppning gasdämpare, RF- lås			Mass (g) 7243	Revision	
			Drawing nr V-låda 21158	Sheet 1(1)		