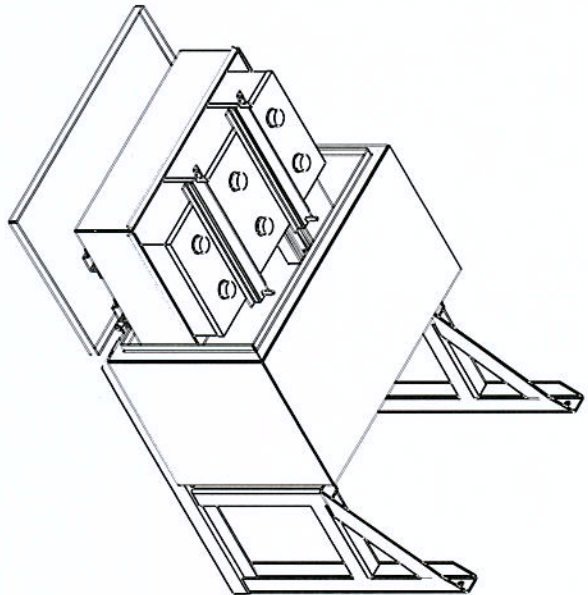
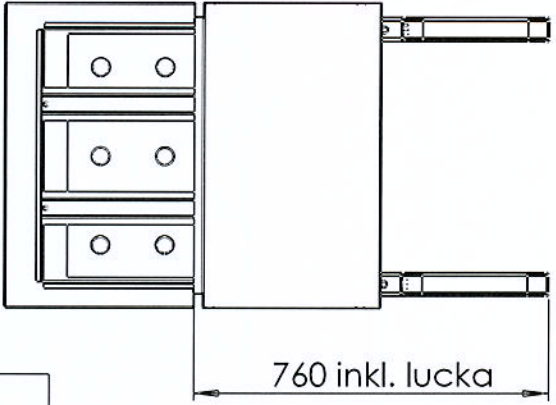
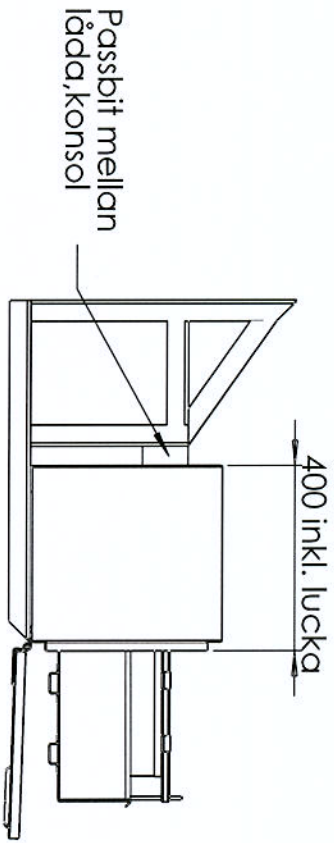
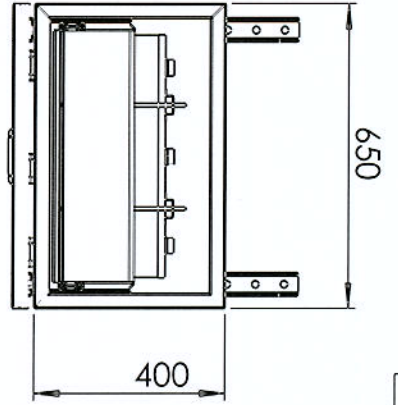


Note	Modified from	Date	Approved
------	---------------	------	----------



Tolerances: If not indicated, according to: ISO 13920-C		Material: RFS 2333, tj 2 mm	
Design:	Drawn: B.B.	Date: 111107	Formel: A4
Description:		Mass (g):	Scale:
Drawing nr: Batterilåda 21246		Revision: E	
Sheet: 1 (1)			