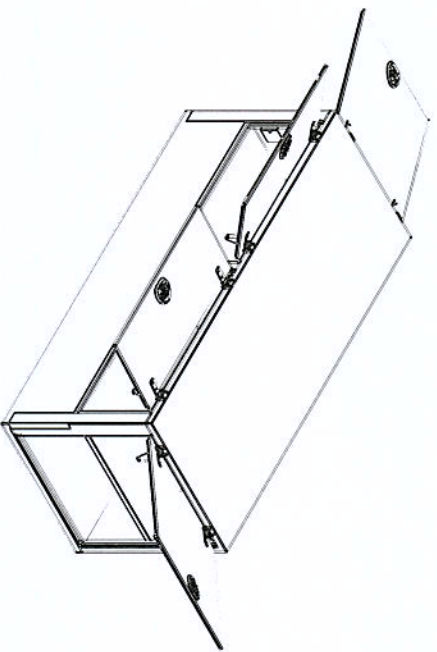
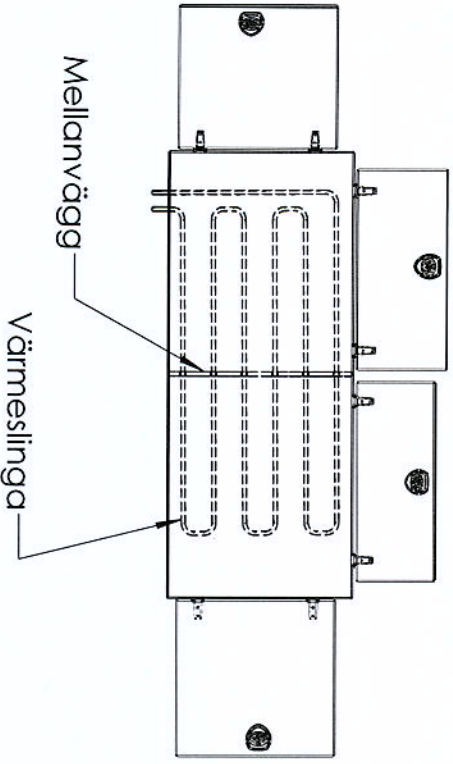
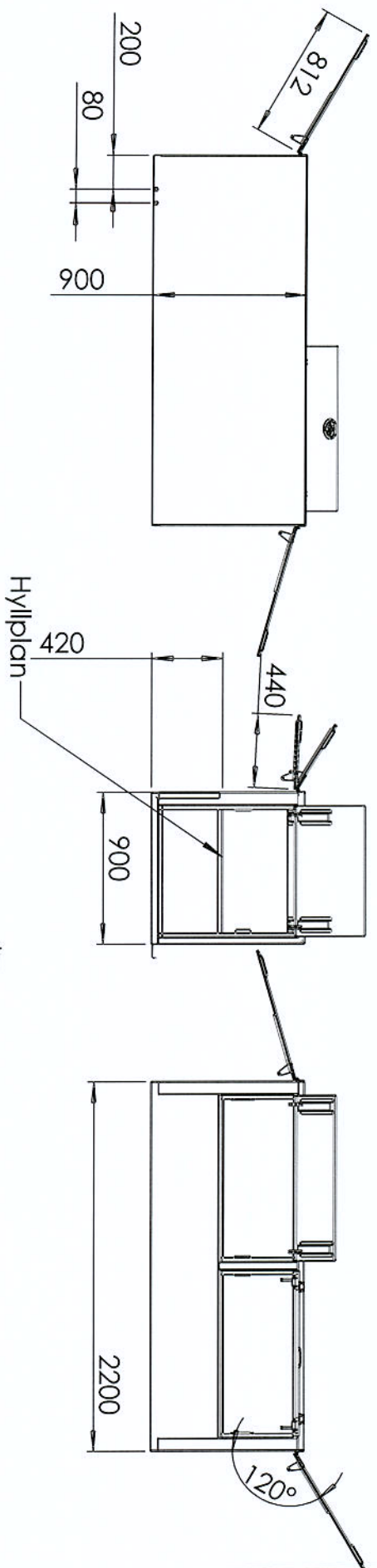



Note	Modified from	Date	Approved
------	---------------	------	----------

1:a rev. 121010 B.B.



		Tolerances, if not indicated, according to: ISO 13920-C		Material RFS 2333, tj 2 mm	
		Design:	Drawn	Date	Format
Description		B.B.	121004	A4	
mod 412 med gasdämpare		Mass (g)			
Drawing nr		Revision			
RF-löda 22412		1 (1)			