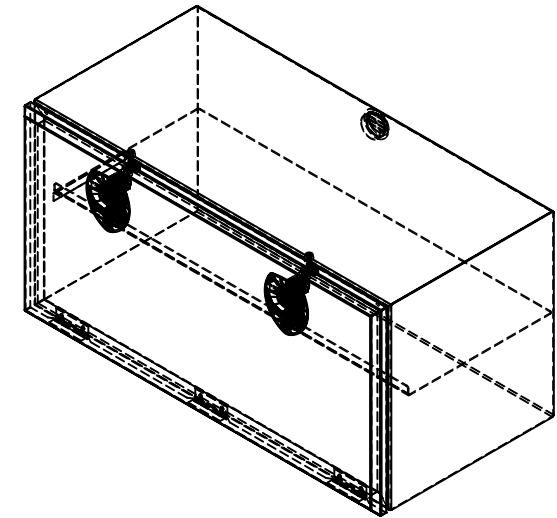
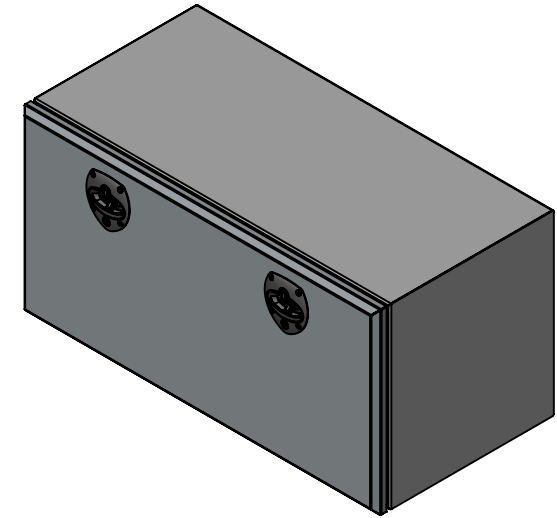
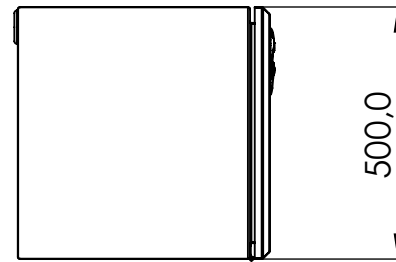
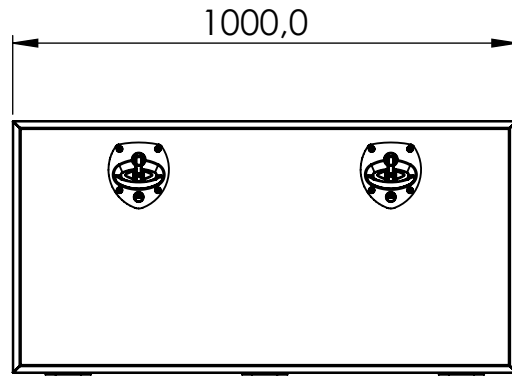


This document must not be copied without our written permission and the contents thereof must not be imparted to a third party nor be used for any unauthorized purpose. Contravention will be prosecuted. New Time AB



1			
Rev.Nr	Revisionsanmärkning	Datum	Sign.



Tolerances, if not indicated, according to: ISO 13920-CG		Material		RF		Thickness	
Design.		Drawn		Date		Scale	
		O.L		2022-10-05		1:15	
Description				Mass (kg)		Revision	
Model				33.9			
Drawing nr						Sheet	
4451005050-F						1/1	