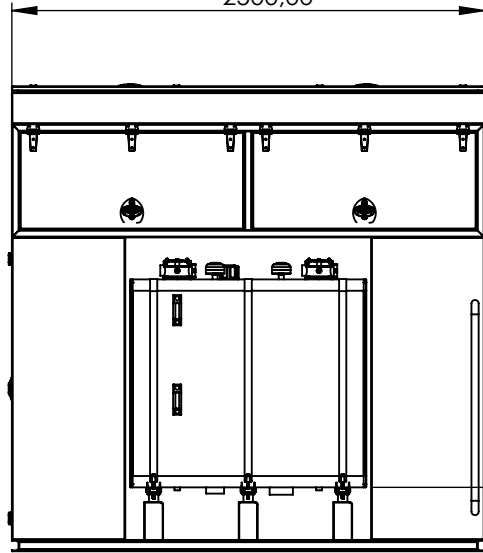
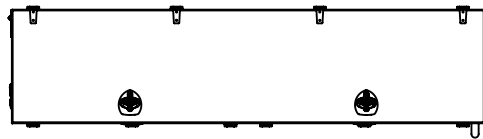


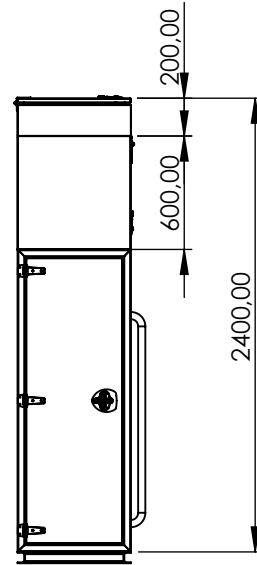
2500,00



278,00



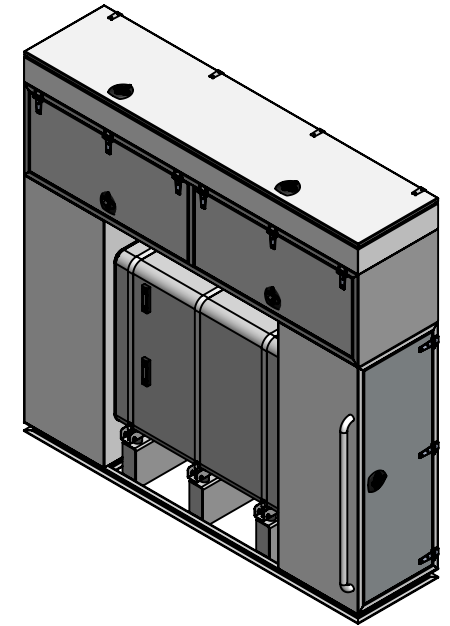
600,00



200,00

600,00

2400,00



This document must not be copied without our written permission and the contents thereof must not be imparted to a third party nor be used for any unauthorized purpose. Contravention will be prosecuted. New Time AB

1			
Rev.Nr	Revisionsanmärkning	Datum	Sign.



Tolerances, if not indicated, according to: <b>ISO 13920-CG</b>		Material: <b>RF</b>		Thickness: <b>2mm</b>	
Design:	Drawn: <b>O.L</b>	Date: <b>2024-06-27</b>	Format:	Scale: <b>1:40</b>	
Description: <b>Model</b>			Mass (kg): <b>632.1</b>	Revision:	
Drawing nr: <b>2931-0005-Bakomhytt</b>				Sheet: <b>1/6</b>	