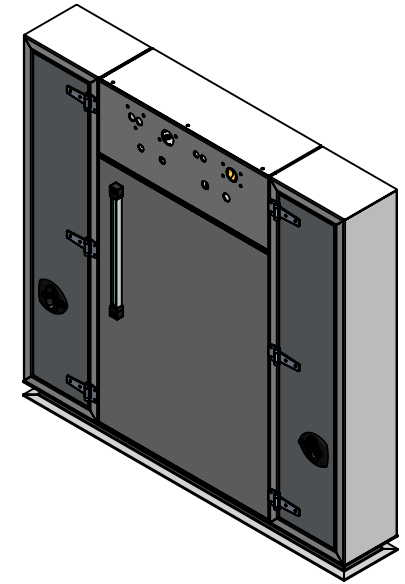
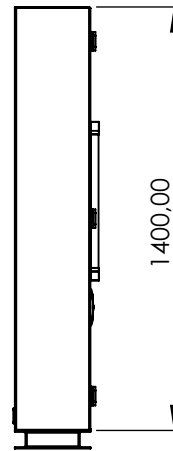
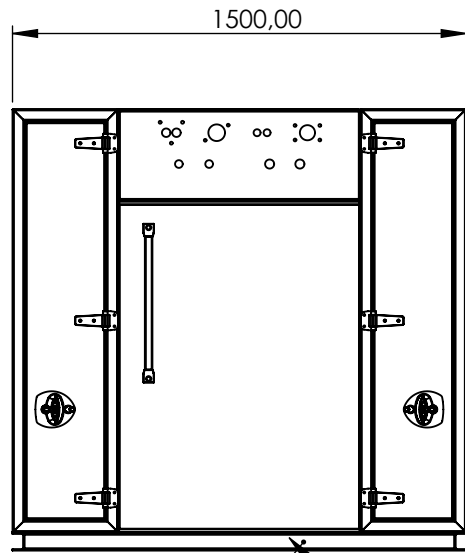
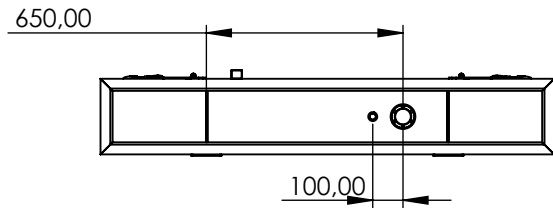
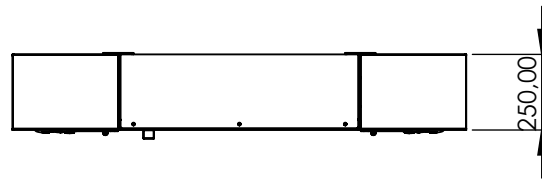


This document must not be copied without our written permission and the contents thereof must not be imparted to a third party nor be used for any unauthorized purpose. Contravention will be prosecuted. New Time AB



2-½"-Sugledning ½"-Läck/Signal



Tolerances, if not indicated, according to: ISO 13920-CG		Material: RF		Thickness: 2mm	
Design:	Drawn: O.L	Date: 2024-06-27	Format:	Scale: 1:25	
Description: Model			Mass (kg): 182.0	Revision:	
Rev.Nr: 1	Revisionsanmärkning:	Datum:	Sign.:	Drawing nr: 41286-Bakomhytt	
				Sheet: 1/4	